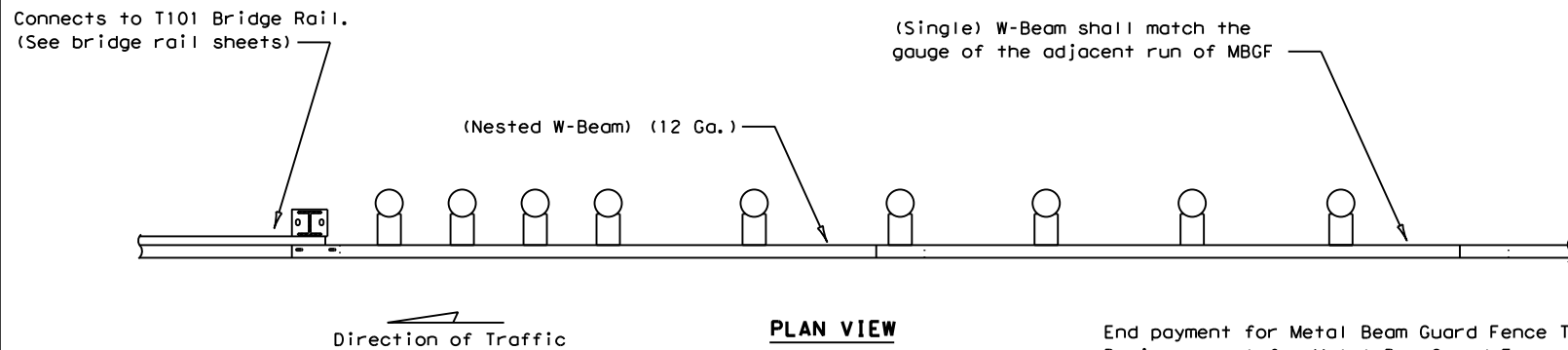
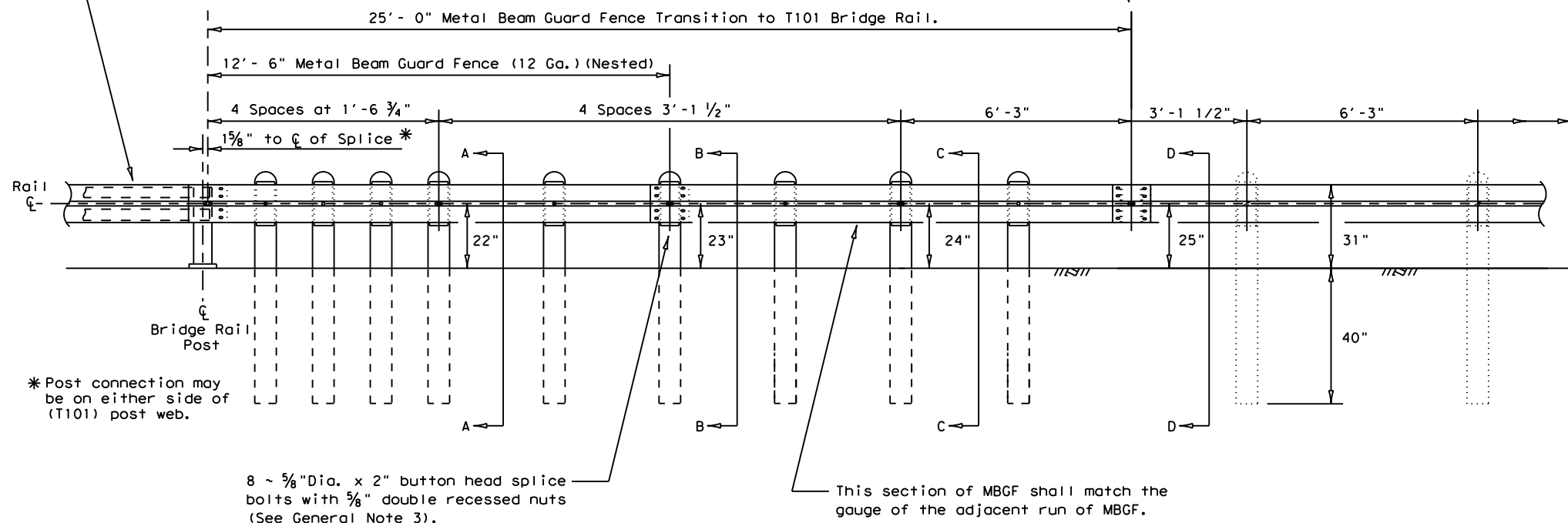


DISCLAIMER: This standard is governed by the "Texas Engineering Practice Act". No warranty of any kind is made by TxDOT for any purpose whatsoever. TxDOT assumes no responsibility for the conversion of this standard to other formats or for incorrect results or damages resulting from its use.

DATE:
FILE:



T101 BRIDGE RAIL
(See bridge rail sheets for connection and post details).

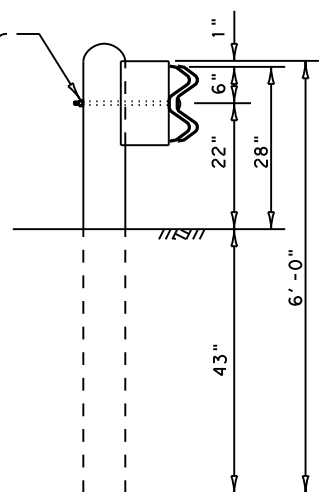


* Post connection may be on either side of (T101) post web.

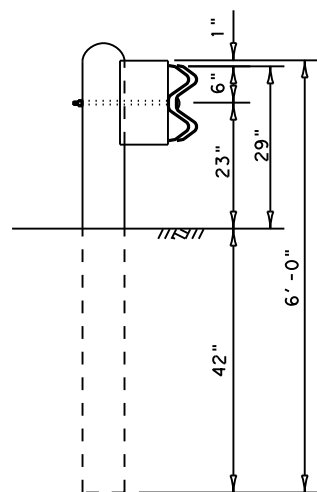
8 - 5/8" Dia. x 2" button head splice bolts with 5/8" double recessed nuts (See General Note 3).

ELEVATION VIEW

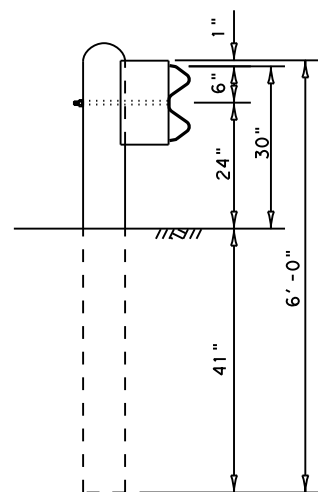
5/8" Button head post bolt with nut & washer (See General Note 3)



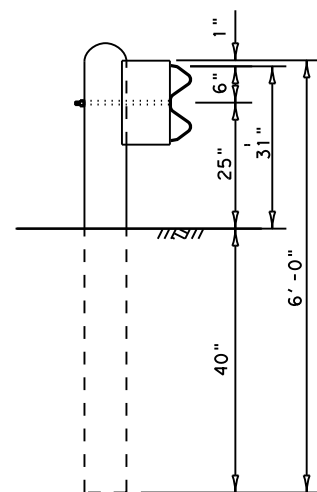
SECTION A-A



SECTION B-B



SECTION C-C



SECTION D-D

GENERAL NOTES

1. The type of post (round wood post, rectangular wood post, or steelpost) will be shown elsewhere in the plans. The exact position of transitions shall be shown elsewhere in the plans or as directed by the Engineer.
2. Rail element shall meet the requirements of Item 540, "Metal Beam Guard Fence" except as modified on the plans.
3. Button head "post" bolts (ASTM A307) shall be of sufficient length to extend through the full thickness of the nut (ASTM A563) and the Type A 1 3/4" O.D. washer and not more than 1" beyond it. Button head "splice" bolts (ASTM A307) are 5/8" x 2" (at triple rail splices) with a 5/8" double recessed nuts (ASTM A563).
4. Fittings (bolts, nuts, and washers) shall be galvanized in accordance with Item 445, "Galvanizing." Fittings shall be subsidiary to the bid item requiring construction of the transition.
5. Crown will be widened to accommodate transitions.
6. If solid rock is encountered. See the GF(31) standard sheet for proper installation guidance.
7. Posts shall not be set in concrete.
8. Unless otherwise shown in the plans, a composite material post and/or block that meets the requirements of DMS-7210, "Composite Material Posts and Blocks for Metal Beam Guard Fence" may be substituted for posts and/or blocks of similar dimensions. The Construction Division, TxDOT, maintains a Material Producer List (MPL) for producers of materials conforming to DMS-7210. Only producers on the MPL can furnish composite material posts and/or blocks.
9. Refer to GF(31) and TYPE T101 Standard Sheet for additional details.

		Design Division Standard	
METAL BEAM GUARD FENCE TRANSITION (T101) GF(31)T101-13			
FILE: gf31+10113	DN: AM	CK: AM	DW: VP
©TxDOT January 2013	CONT	SECT	JOB
REVISIONS	DIST		COUNTY
			SHEET NO.