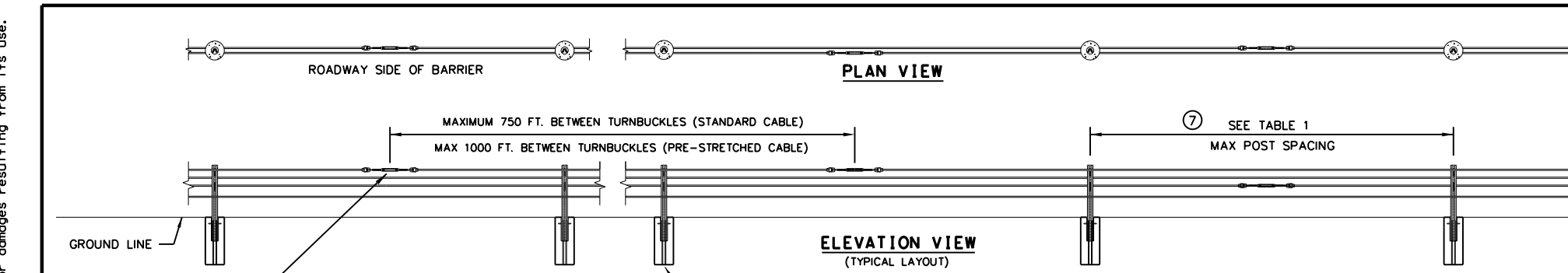
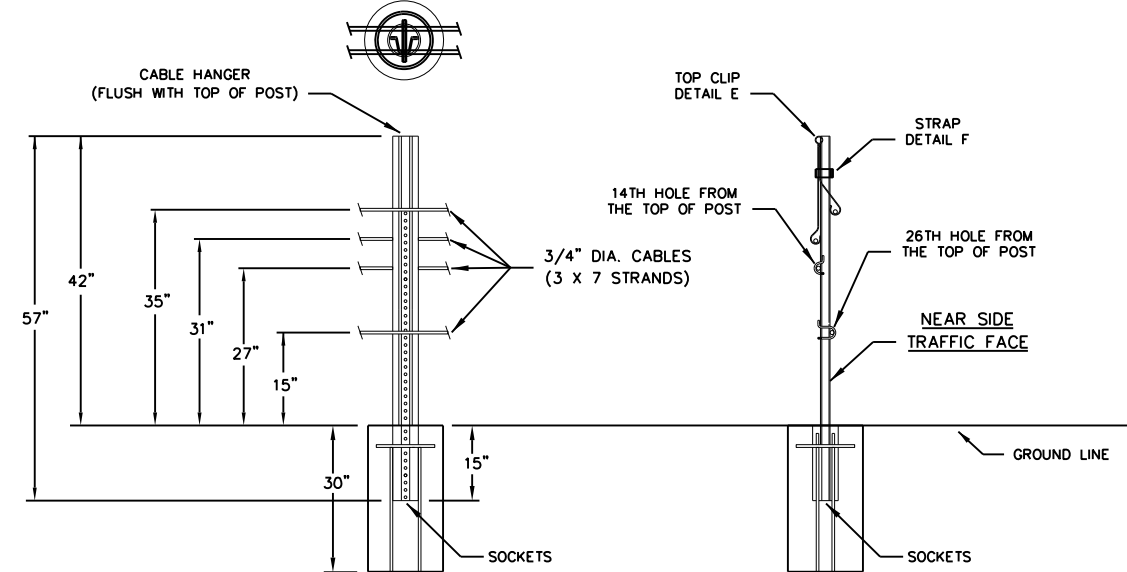


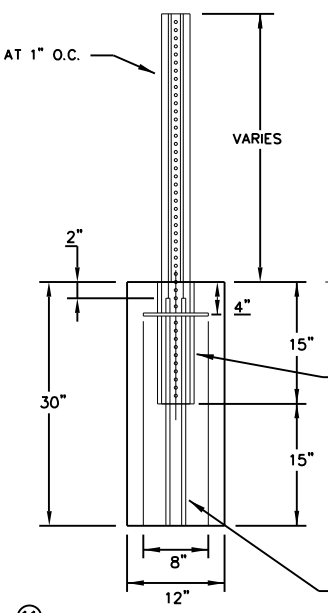
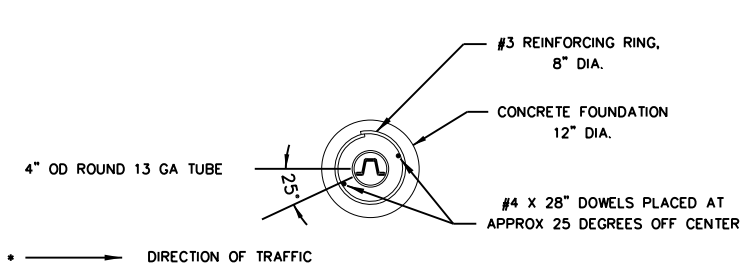
DISCLAIMER: The use of this standard is governed by the "Texas Engineering Practice Act". No warranty of any kind is made by TxDOT for any purpose whatsoever. TxDOT assumes no responsibility for the conversion of this standard to other formats or for incorrect results or damages resulting from its use.



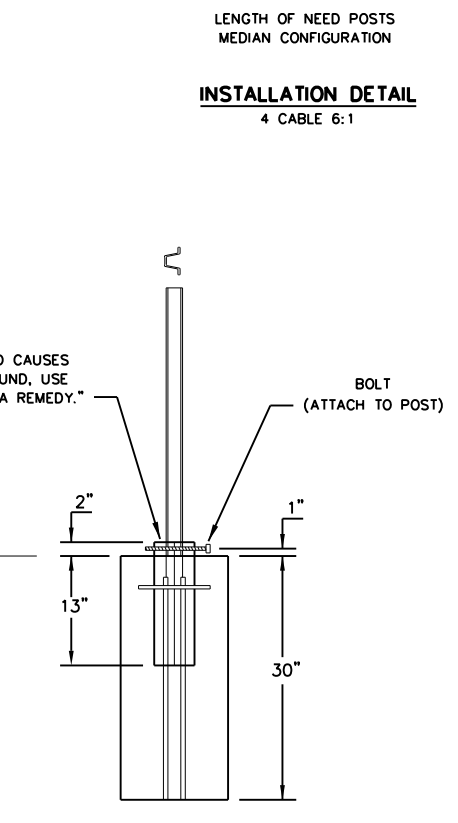
ROADWAY SIDE OF BARRIER
 PLAN VIEW
 MAXIMUM 750 FT. BETWEEN TURNBUCKLES (STANDARD CABLE)
 MAX 1000 FT. BETWEEN TURNBUCKLES (PRE-STRETCHED CABLE)
 ELEVATION VIEW
 (TYPICAL LAYOUT)
 STAGGER PLACEMENT OF TURNBUCKLES LINE TO LINE BETWEEN POSTS.
 NOTE: TURNBUCKLES MAY BE SWAGED OR WEDGE FITTINGS.
 Rib-Bok™ CABLE LINE POST (SOCKET OPTION)
 30" DEEP X 12" DIA. CONCRETE FOOTING



NOTE: CABLE HEIGHTS ARE TO THE MIDDLE OF THE CABLE.
 HEIGHT TOLERANCES:
 ALL CABLES: 1/4"

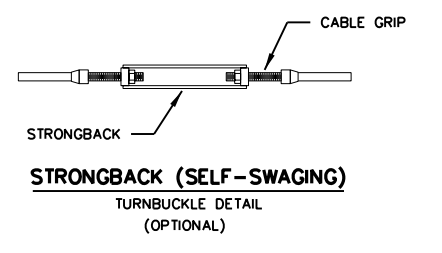
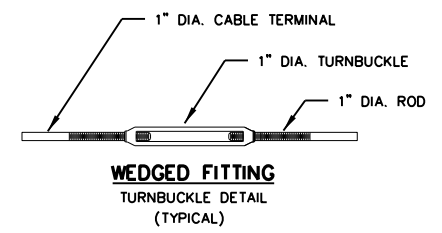
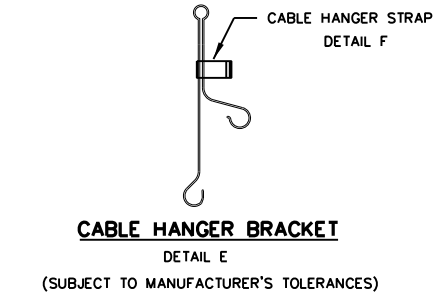


11) SOCKETED POST OPTION
 (TYPE S POST)



ALTERNATE SOCKET PLACEMENT
 (TYPE S POST)

LENGTH OF NEED POSTS
 MEDIAN CONFIGURATION
 INSTALLATION DETAIL
 4 CABLE 6:1



GENERAL NOTES

- FOR ADDITIONAL INFORMATION CONTACT YOUR DISTRIBUTOR OR NUCOR STEEL MARION, INC. AT (740) 383-4011.
- FOR PAYMENT SEE SPECIAL SPECIFICATION "CABLE BARRIER SYSTEM".
- FOR ADDITIONAL INFORMATION SEE THE MANUFACTURER'S PRODUCT MANUAL.
- THE NU-CABLE SYSTEM IS DESIGNED FOR BI-DIRECTIONAL TRAFFIC FLOWS. SEE THE MANUFACTURER'S PRODUCT MANUAL FOR PLACEMENT ADJACENT TO GUARDRAIL END TREATMENTS.
- THE NU-CABLE SYSTEM SHALL BE INSTALLED ON MEDIANS WITH SLOPES OF 6:1 OR FLATTER WITHOUT OBSTRUCTIONS, DEPRESSIONS, ETC; THAT MAY SIGNIFICANTLY AFFECT THE STABILITY OF AN ERRANT VEHICLE.
- THE NU-CABLE SYSTEM MAY BE INSTALLED ON EITHER SIDE OF THE ROADWAY. Rib-Bok™ CABLE LINE POSTS MAY BE SOCKETED OR DRIVEN DESIGN.
- THE TL-4 FOR 6:1 SLOPES CAN USE 4# / LF POST. SEE TABLE #1 FOR POST SIZE PER SPACING.
- SEE (TABLE 2) FOR TENSION AMOUNT AT SPECIFIC CABLE TEMPERATURE FOR INITIAL INSTALLATION.
- SEE (TABLE 3) FOR TENSION AMOUNT AT SPECIFIC CABLE TEMPERATURE FOR MAINTENANCE.
- FOURTH (LOWEST) CABLE IS NOT OPTIONAL ON THE TL-4 SYSTEM.
- CONSULT YOUR PROJECT PLAN SHEETS AND CABLE BARRIER SPECIFICATIONS FOR DESIRED SOCKET MATERIAL.
- ALL FOUNDATION DESIGNS ARE BASED ON NCHRP 350 STRONG (S1) SOIL. CONSULT THE MANUFACTURER FOR SPECIFIC FOUNDATION DESIGN IF SOIL TYPES DIFFER.

7) TABLE 1

POST SIZE TABLE	
POST SPACING	POST SIZE
0' - 17'-6"	4# / LF X 4' OR 6' POST
17'-6" - 20'	5# / LF X 4' POST

POST SPACING IS PER 8 FOOT DEFLECTION REQUIREMENTS.
 CONSULT PRODUCT MANUAL IF GREATER DEFLECTION IS PERMISSIBLE.

8) TABLE 2

CABLE TENSION CHART	
INITIAL INSTALL	
F	LBF
120	4624
110	4986
100	5350
90	5713
80	6077
70	6440
60	7167
50	7894
40	8619
30	9346
20	10073
10	10800
0	11525
-10	12252
-20	12979
-30	13706

9) TABLE 3

CABLE TENSION CHART	
MAINTENANCE	
F	LBF
120	4021
110	4336
100	4652
90	4968
80	5284
70	5600
60	6232
50	6864
40	7495
30	8127
20	8759
10	9391
0	10022
-10	10654
-20	11286
-30	11918

Design Division Standard

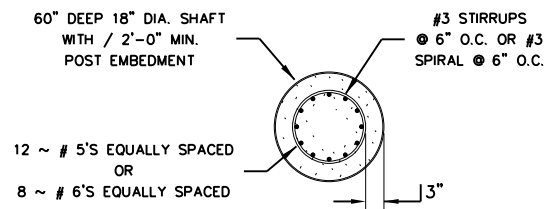
NU-CABLE BARRIER SYSTEM
 (TL-4)
 (4 CABLE)

NU-CABLE (TL4) - 14

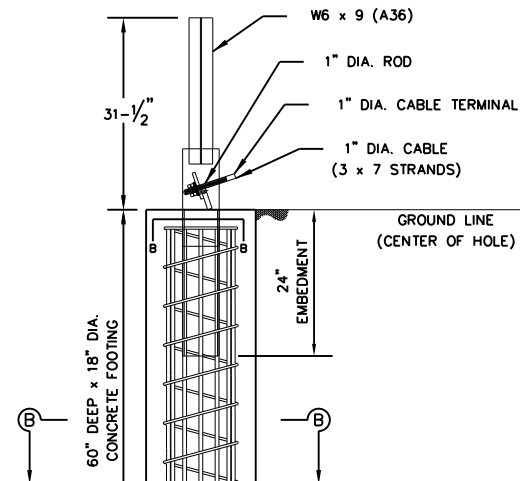
FILE:	DN:	CK:	DW:	CK:
© TxDOT:	CONT	SECT	JOB	HIGHWAY
REVISIONS				
DIST	COUNTY		SHEET NO.	

DATE: FILE:

DISCLAIMER: The use of this standard is governed by the "Texas Engineering Practice Act". No warranty of any kind is made by TxDOT for any purpose whatsoever. TxDOT assumes no responsibility for the conversion of this standard to other formats or for incorrect results or damages resulting from its use.



SECTION B-B
(CABLE RELEASE POST)



DETAIL A - CRP IN CONCRETE FOOTING
(3000 PSI MIN CONCRETE)

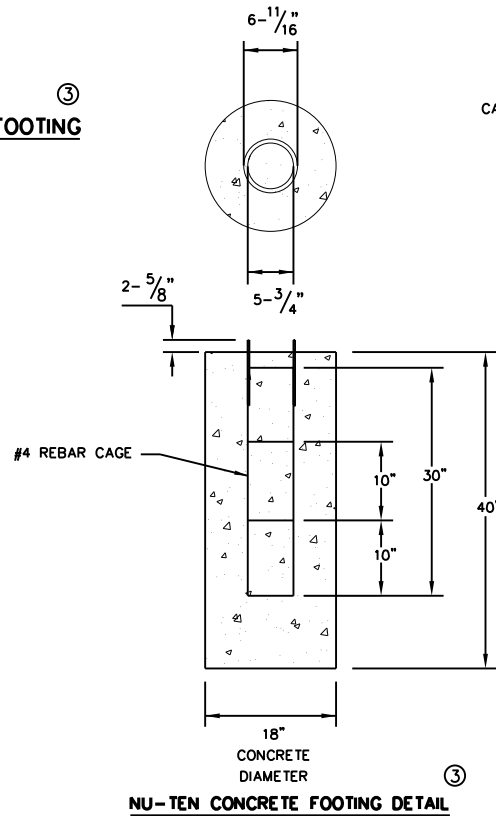
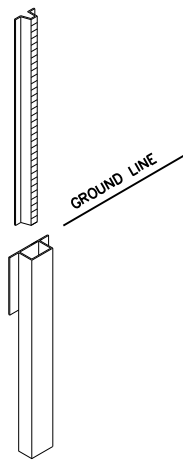
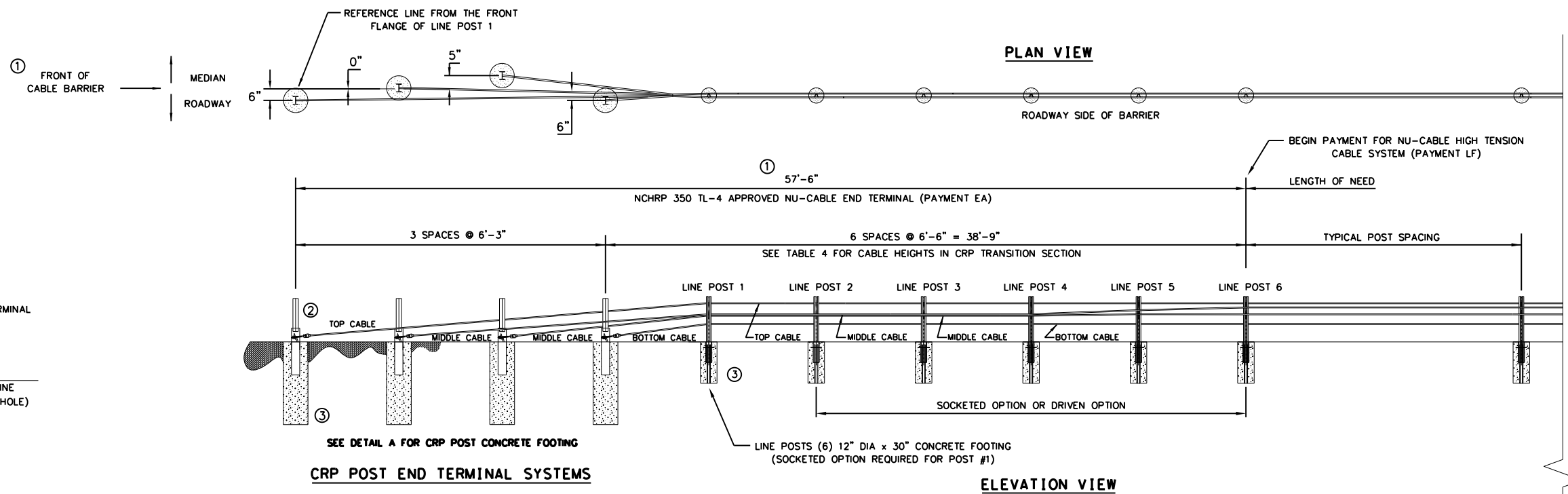
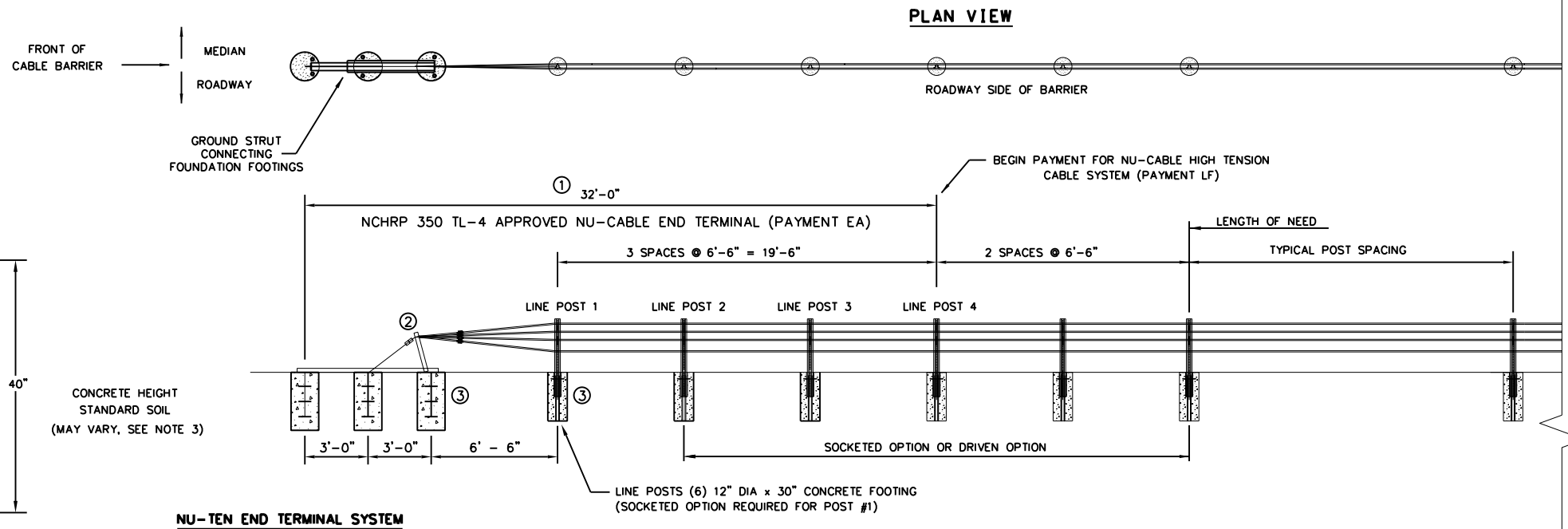


TABLE 4

CRP END TERMINAL CABLE HEIGHTS - TL-4						
	LP 1	LP 2	LP 3	LP 4	LP 5	LP 6
TOP CABLE	34"	34"	34"	34"	34"	34"
UPPER-MIDDLE CABLE	27"	27"	27"	27"	28"	31"
BOTTOM-MIDDLE CABLE	24"	24"	24"	24"	24"	24"
BOTTOM CABLE	15"	15"	15"	15"	15"	15"



① THE OPPOSING END TREATMENTS ON A PARTICULAR RUN ARE MIRRORED IN THEIR LAYOUT.



NOTES

1. THE OPPOSING END TREATMENTS ON A PARTICULAR RUN ARE MIRRORED IN THEIR LAYOUT. SYSTEM PAYMENT IS PER EACH (EA). REFER TO PROJECT SPECIFICATIONS FOR ADDITIONAL PAYMENT INFORMATION
2. REFER TO INSTALLATION MANUAL FOR CABLE END ASSEMBLY DETAIL.
3. ALL FOUNDATION DESIGNS ARE BASED ON NCHRP 350 STRONG (S1) SOIL. CONSULT THE MANUFACTURER FOR SPECIFIC FOUNDATION DESIGNS IF SOIL TYPES DIFFER.
4. SEE TABLE 4 CABLE HEIGHTS IN CRP TRANSITION SECTION.

SHEET 2 OF 2



NU-CABLE BARRIER SYSTEM (TL-4) (4 CABLE)

NU-CABLE (TL4) - 14

FILE:	DN:	CK:	DW:	CK:
© TxDOT:	CONT:	SECT:	JOB:	HIGHWAY:
REVISIONS		DIST:	COUNTY:	SHEET NO.:

DATE:
FILE: